

# OctoPre LE Optional Codec Installation Guide

## The kit should contain: -

Qty	Description
1	Digital card
2	M3x25mm pozi pan-head screws
2	Large nuts and shakeproof washers (for BNC connectors)
2	M3 Nylok nuts
2	M3x16mm pillars

## Tools required: -

- No. 1 crosshead screwdriver
- M3 nut driver/spanner
- 16mm socket

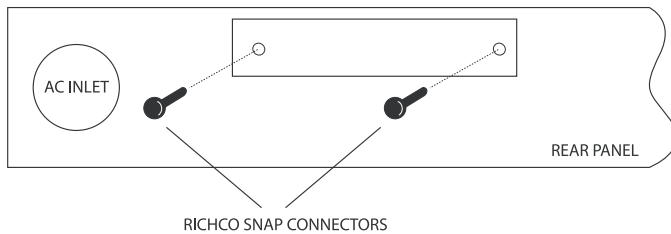
### WARNING!

**THE MODULE SHOULD BE DISCONNECTED FROM THE AC POWER BEFORE ATTEMPTING TO CARRY OUT THE FOLLOWING INSTRUCTIONS. ALLOW THE MODULE TO COOL BEFORE STARTING INSTALLATION OF THE DIGITAL OPTION. ANTI-STATIC PRECAUTIONS SHOULD BE TAKEN WHEN HANDLING THE CARD OUTSIDE OF ITS ANTI-STATIC BAG; ONLY HANDLE THE CARD BY GRIPPING THE CARD BY ITS EDGES AND AVOID TOUCHING ANY OF THE COMPONENT PARTS OTHER THAN THE CABLE AND CONNECTORS. PLACE THE UNIT ON A CLEAN, FLAT SURFACE.**

## Top Cover Removal

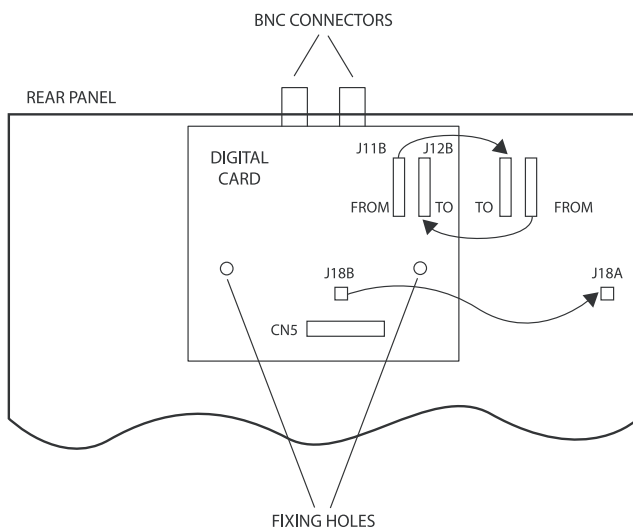
1. Remove the 10 crosshead screws securing the top cover.
2. Remove the top cover.

## Digital Option Cover Removal



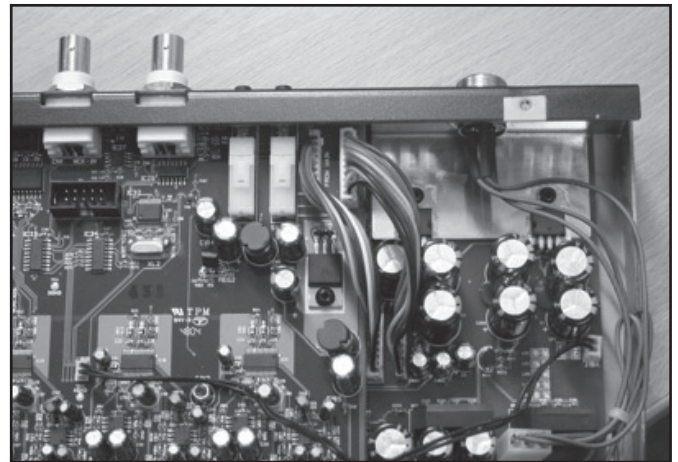
The rear panel digital connector is accessed by removing the small rear cover plate. To remove the cover plate push the 2 Richco snap rivet inserts from inside the unit, then pull out the rivet body from the rear panel.

## Installing Digital Card



1. From the bottom of the chassis, locate the two fixing holes and push the M3x25mm pan-head screws through the holes into the unit.
2. Place the unit onto a flat surface and fit the two M3 pillars over the screws.
3. Connect the 34-way ribbon cable CN5 (on the CODEC) to the CN5 connector on the main circuit board. Observe the polarity bump on the cable connector for correct attachment.
4. Disconnect the multi-coloured 10-way link cable from the 'To ADC' connector on the main OctoPre LE circuit board, and disconnect the equivalent multi-coloured cable on the CODEC board from the 'To Main' connector (J12B). Connect the cable from the CODEC board (J11B) to the 'To ADC' connector on the OctoPre LE main circuit board, and the cable from the OctoPre LE main circuit board to the 'To Main' connector on the CODEC (J12B) as shown on the diagram.
5. Lower the CODEC board into position as shown in the diagram above, pushing the CODEC BNC connectors into place on the rear panel and align the M3x25 screws to the fixing holes.
6. Secure the BNC connectors on the rear panel using the two shakeproof washers and two large nuts.
7. Secure using the two Nylok nuts (do not overtighten).
8. Connect the black 2-way link cable from the jumper on the CODEC that it's soldered to (J18B) to jumper J18A on the OctoPre LE board as shown in the diagram above.

The installed card should look like this:



## Replacing the Top Cover

The top cover should now be replaced, using the 10 crosshead screws, to secure it firmly to the chassis. The installation is now complete and the unit can be reconnected to the AC power.

If you experience any difficulties installing this digital option please contact Focusrite technical support at [supportteam@focusrite.com](mailto:supportteam@focusrite.com).